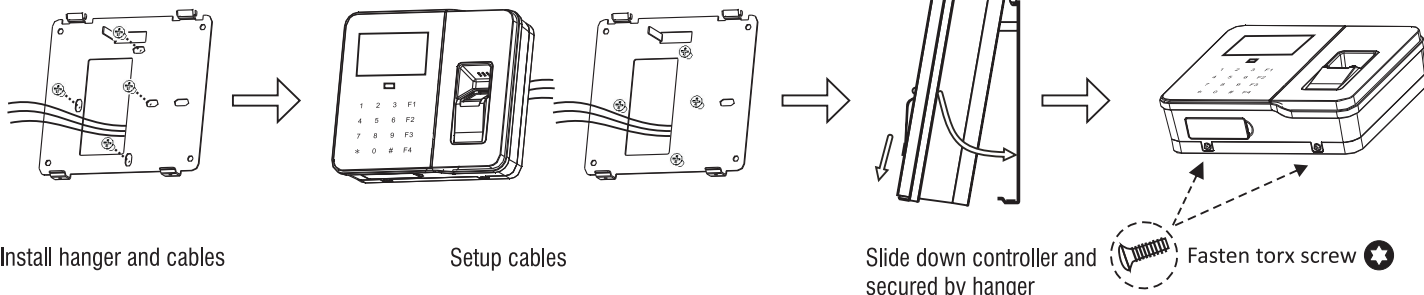


A. Package Content

- Controller x 1, wall hanger x 1, warranty card x 1, user manual x 1, kit pack x 1
- Kit pack : screw x 4, screw anchors x 4, torx screw x 2, diode (1N4004) x 1, screwdriver x 1
- 8 pin cable x 1, 3 pin cable x 1, 2 pin cable x 1

B. Installation



C. Specification

- Dimension : 160.2 x 140.2 x 46.7 mm
- Voltage range : 9 ~ 24 VDC
- Current : Max 500mA (Recommended use 1A)
- Wiegand range : Max 80M
- TCP/IP range : Max 100M (add hub to extend)

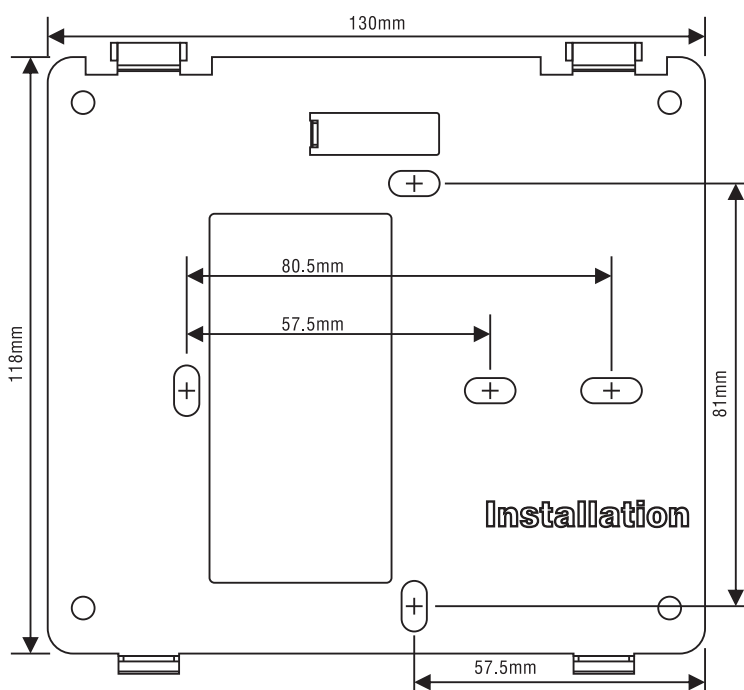
D. Webserver Introduction

- Default IP Address : 192.168.0.66
- Default WEB Account : admin
- Default WEB Password : admin

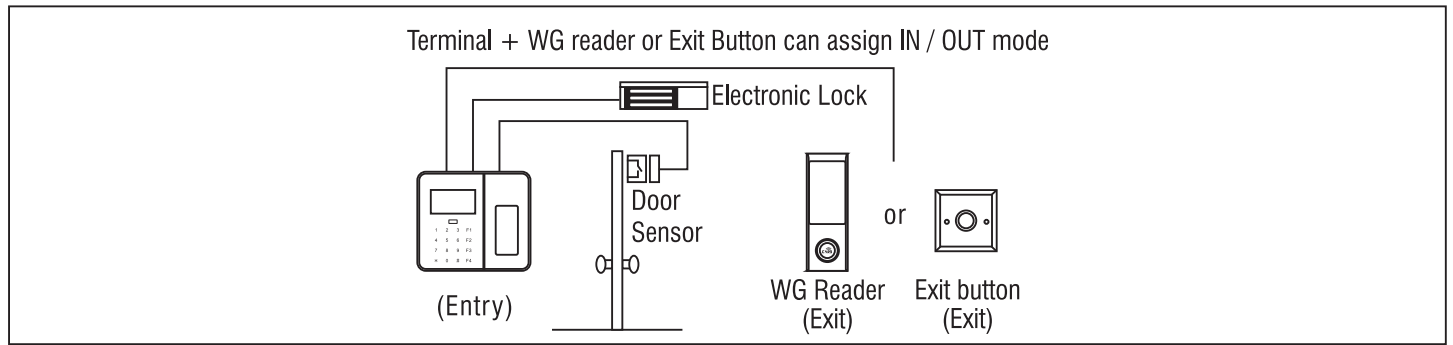
E. Enter Administrator Mode Guide :

- Press F1 + F1 → enter default password 111111 → press # (Yes = # ; No = *)
- Add user
Advance setup → user → add user single / continuous → enter UID → register card if any → register fingerprint if any → register password if any
- Delete user
Advance setup → user → delete user → present card or enter UID → press #
- Setup IP address
Advance setup → setting → IP config → enter IP / subnet / gateway
- Setup date&time
Advance setup → setting → date & time → enter time HH/MM/SS (24hr) → press # → enter date YY/MM/DD
(ex : 2010/6/30) = 100630 → press #

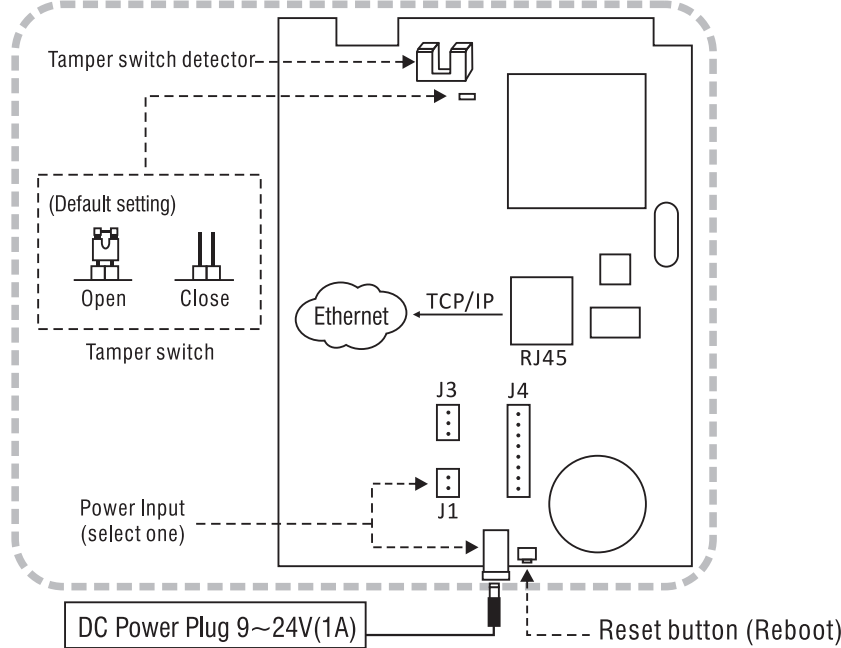
F. Controller Hanger Dimension



G. Application structure



H. Controller Backside Introduction



I. Cable Color Description

3 pin(J3)

| | | |
|-----|-------|------------|
| COM | BLACK | Door Relay |
| NO | BROWN | |
| NC | GRAY | |

2 pin(J1)

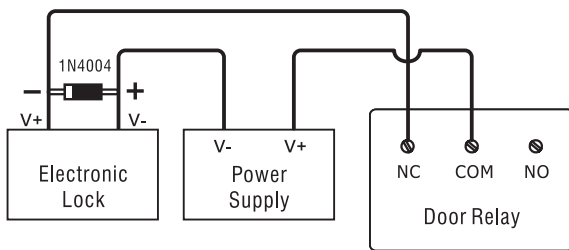
| | | |
|-----|-------|------------------------------|
| VIN | RED | DC Power Input 9~24VDC 1A |
| GND | BLACK | |

8 pin(J4)

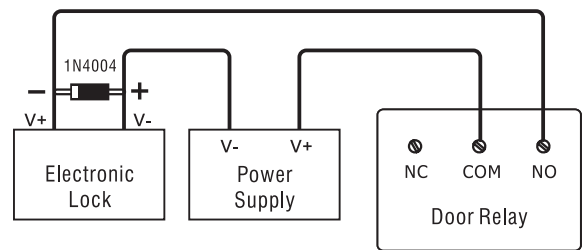
| | | |
|------|--------------|------------------|
| DOOR | YELLOW BLACK | Exit Button |
| SENS | WHITE BLACK | Door Sensor |
| FIRE | GREEN BLACK | Fire Alarm Input |
| OD0 | RED WHITE | WG Output |
| OD1 | BLACK WHITE | |
| GND | BLACK | GND |
| WID0 | ORANGE | WG Input |
| WID1 | PINK BLACK | |

Electronic lock and door relay connection

• Electronic Fail Safe mode



• Electronic Fail Secure mode



J. Cable Diagram

